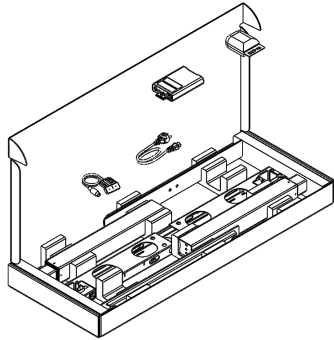
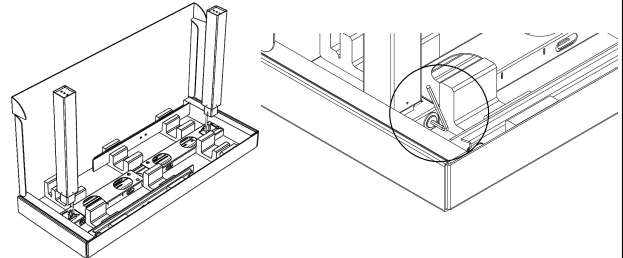


FUMAC[®]

Assembly instructions for InLINE - SQUARE - SWITCH sit/stand desk

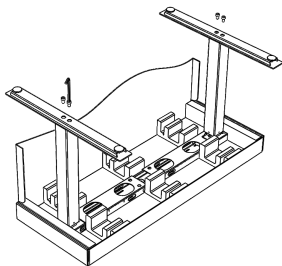


1. Open the box.
2. Remove the control box, power cable, control panel and the extra bags from the packaging.

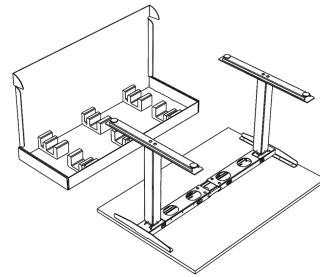


WARNING! Be very careful not to damage the cable when the column is inserted. Do NOT use a hammer!

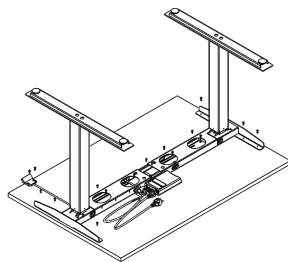
3. Lift and place the columns in their sockets until they reach the the correct position. Simultaneously, you must pull the column cable through the beam to ensure the cable is not damaged.
4. Tighten the bolts.



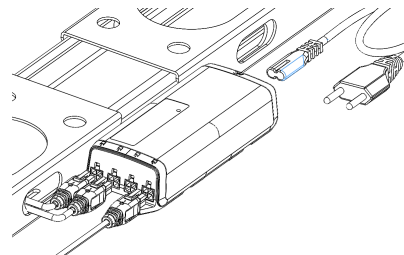
5. Tighten the feet to the columns.



6. Place the frame on a desk top.



7. Mount the frame, control box and control panel on the desk top.



8. Connect the column cables, control panel and power cable to the control box. **POWER CABLE SHOULD BE CONNECTED AS THE LAST THING.**

Calibration:

1. Connect the power cable from the desk into the power socket.
2. Double click and hold down both buttons on the control panel until the red light starts blinking.
3. Release both buttons.
4. Green light will blink.
5. Press and hold down arrow until light switches off.
6. Your desk is now ready for use!