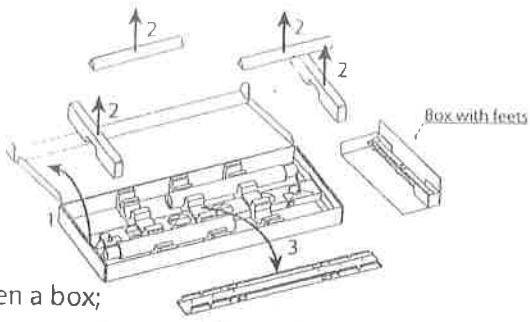
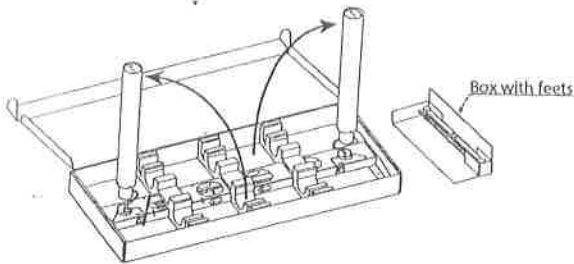


Assembling manual for telescopic frame with RD shape legs

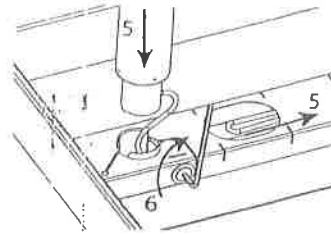
(feets come separately)



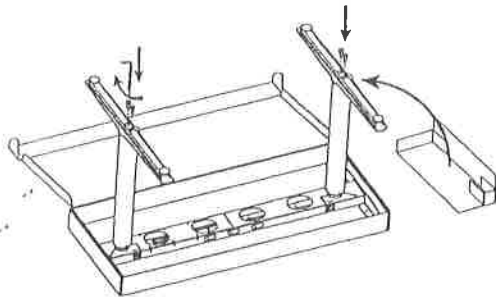
1. Open a box;
2. Remove cartons and foams from end;
3. Take out MIDDLE PIECE;



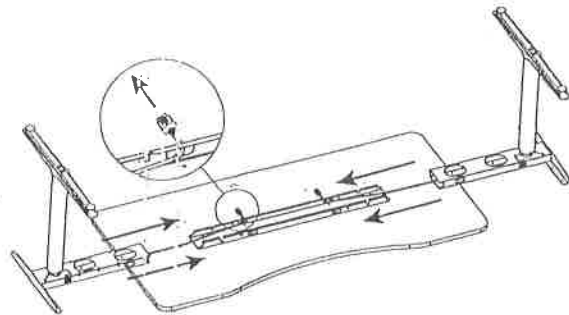
4. Pick up legs in correct position;



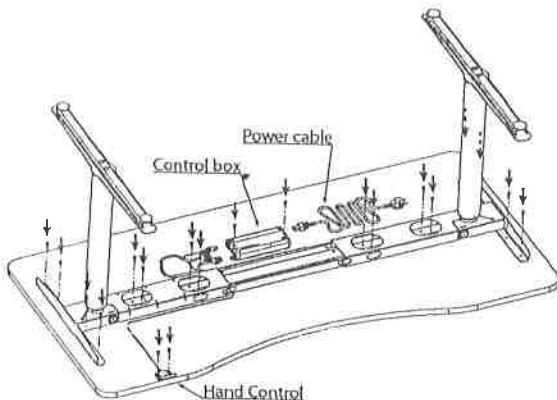
5. Put a leg into the hole pulling the cable through chanel at the same time;
6. Tighten the screw;



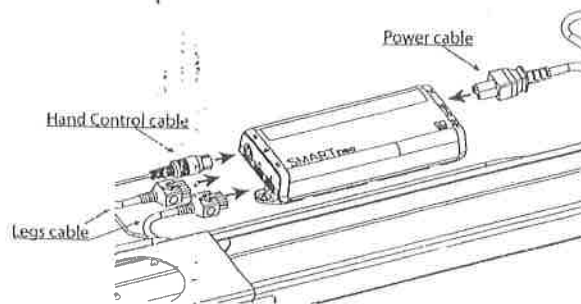
7. Put both feets on legs and screw them in;



8. Slide the MIDDLE PIECE into the SIDE BEAMS and take cable out through the hole of MIDDLE PIECE;



9. Screw down the TABLE FRAME, CONTROL BOXES and HAND CONTROL onto the TABLE TOP;



10. Plug all cable connectors into CONTROL BOX in proper sockets;

CALIBRATION:

Press and hold DOWN BOTTON until the columns go full down and a little bit up then release it. Wait for 10 seconds and then the table is ready for use.

